

## SPECIALTY TABLES

# SX Gynae Examination Table

Designed by Healthtec™ in conjunction with a gynaecologist, this table provides sufficient and effective pelvic tilt for examining the cervix.

The low minimum height allows for easy patient access and transfer while the maximum height can quickly be set to suit the practitioner's requirements reducing back strain.



### Specifications

Maximum Working Load:	200kg dynamic load (moving) 400kg static load (stationary)
Minimum Working Height:	450mm
Maximum Working Height:	970mm
Table Width:	610mm
Table Length:	1950mm
Cushioning:	50mm Enduro Foam
Covering:	Vinyl Upholstery (with PreFixx protective finish)
Base/Castors:	Heavy duty industrial quality lockable castors (360° rotation)
Footswitch:	Double Footswitch (Hi-Lo & Pelvic Tilt Functions)
Frame:	Powder Coated Rust Resistant, Steel Frame



Shown with optional paper towel roll holder.



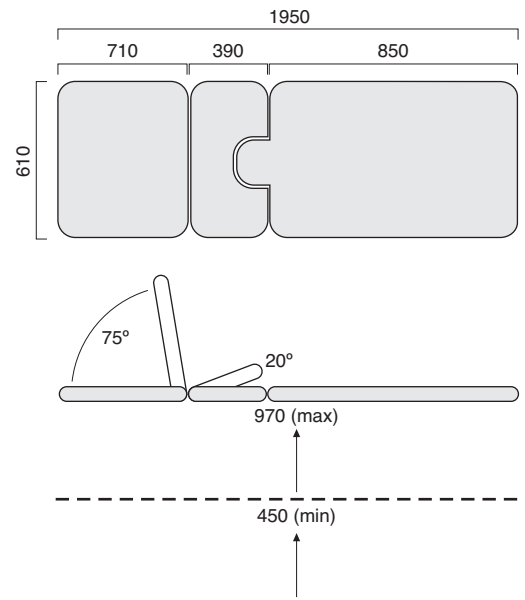
### The Healthtec Warranty

All Healthtec™ manufactured items are covered for defects in material or workmanship for 5 years from date of purchase. Original suppliers warranty applies.

# PRICE SHEET

## SX Gynae / Examination Table

Description	Code	Qty
<b>Products</b>		
SX Gynae / Examination Bed (610 wide) w/Castors	50751	
<b>Options and Accessories</b>		
<b>Foam and Vinyl Upgrade</b>		
Non-Stock Vinyl Upgrade	6018	
75mm Comfort Foam Upgrade	6005	
<b>Width Options</b>		
660mm Width Option	-65	
710mm Width Option	-70	
<b>Head Section Options</b>		
Nose Hole and Plug	6010	
<b>Side Rail Options</b>		
Side Rail (Left/Right) Each	5115	
<b>Examination Options</b>		
Gynae Leg Supports	5114	
<b>Castor Options</b>		
Central Locking Castor Option	6037	
<b>Motor &amp; Footswitch Options</b>		
Hi-Lo Fast Motor Upgrade	6049	
Additional Double Footswitch (2 Function)	6024	
<b>Table Protection</b>		
Paper Towel — Roll Holder	6017	
<b>Warranty Options</b>		
Extended Warranty — 10 yrs motor, 10 yrs frame	7800	
<b>Freight</b>		
Freight is calculated by a Healthtec Representative when you place your order.		
Shipping Dimensions	2050mm x 750mm x 650m	
Shipping Weight	80kg	



**FRECALL**

**1300 362 923**

info@healthtec.com.au

Healthtec Pty Ltd ABN 94 224 518 379 TGA AR-00106892-6  
© September 2012

Disclaimer: Due to our policy of constant product improvement, specifications may change without notice. Check with us for the latest specifications and pricing.